

NBC-R4MC/5,0-94B/R4MC - Network cable



1408954

<https://www.phoenixcontact.com/us/products/1408954>

Please be informed that the data shown in this PDF document is generated from our online catalog. Please find the complete data in the user documentation. Our general terms of use for downloads are valid.



Assembled Ethernet cable, shielded, 4-pair, AWG 26 stranded (7-wire), RAL 5021 (sea blue), RJ45 connector/IP67, gray to RJ45 connector/IP67, gray, line, length 5 m

Your advantages

- Compact angle
- Perfect for industrial applications
- PVC cable for flexible installations
- Worldwide approval with CE, UL, WEEE, and EAC
- Secure connection and disconnection with reliable locking clip protection
- Ideal EMC properties, thanks to 360° shielding
- Simultaneous power transmission with PoE++
- Resistant to shock and vibrations, thanks to robust molding
- High-speed data transmission with up to 1 Gbps (CAT5)

Commercial data

| | |
|--------------------------------------|---------------------|
| Item number | 1408954 |
| Packing unit | 1 pc |
| Minimum order quantity | 1 pc |
| Sales key | AB11 |
| Product key | ABNABM |
| Catalog page | Page 400 (C-2-2019) |
| GTIN | 4046356856829 |
| Weight per piece (including packing) | 286.8 g |
| Weight per piece (excluding packing) | 270.034 g |
| Customs tariff number | 85444210 |
| Country of origin | PL |

NBC-R4MC/5,0-94B/R4MC - Network cable



1408954

<https://www.phoenixcontact.com/us/products/1408954>

Technical data

Product properties

| | |
|----------------------|-------------------------|
| Product type | Data cable preassembled |
| Sensor type | Ethernet |
| Number of positions | 8 |
| No. of cable outlets | 1 |
| Shielded | yes |
| Cable outlet | straight |

Insulation characteristics

| | |
|---------------------|---|
| Degree of pollution | 2 |
|---------------------|---|

Signaling

| | |
|------------------------|----|
| Status display | No |
| Status display present | No |

Electrical properties

| | |
|---|-----------------------|
| Rated voltage (III/3) | 72 V (DC) |
| Nominal voltage U_N | 48 V |
| Nominal current I_N | 1 A |
| Transmission medium | Copper |
| Transmission characteristics (category) | CAT5 (IEC 11801:2002) |
| Transmission speed | 1 Gbps |
| Wave impedance | 100 Ω |

Mechanical properties

Mechanical data

| | |
|-----------------------------|------------|
| Insertion/withdrawal cycles | ≥ 750 |
|-----------------------------|------------|

Material specifications

| | |
|--|--------------------|
| Flammability rating according to UL 94 | V2 |
| Outer sheath, material | PUR |
| Conductor material | Bare Cu litz wires |

Connector

Connection 1

| | |
|--------------|--|
| Type | Plug straight RJ45 |
| Locking type | Clip locking |
| Handle color | gray |
| Material | CuSn (Contact) Ni/Au (Contact surface) PC (Contact carriers) |

NBC-R4MC/5,0-94B/R4MC - Network cable



1408954

<https://www.phoenixcontact.com/us/products/1408954>

| | |
|---------------------------------|------------------|
| | PA (Housing) |
| Insertion/withdrawal cycles | ≥ 750 |
| Degree of protection | IP67 |
| Ambient temperature (operation) | -20 °C ... 70 °C |


Connection 2

| | |
|---------------------------------|--|
| Type | Plug straight RJ45 |
| Locking type | Clip locking |
| Handle color | gray |
| Material | CuSn (Contact) Ni/Au (Contact surface) PC (Contact carriers) PA (Housing) |
| Insertion/withdrawal cycles | ≥ 750 |
| Degree of protection | IP67 |
| Ambient temperature (operation) | -20 °C ... 70 °C |

Cable/line

| | |
|--------------|--------|
| Cable length | 5.00 m |
|--------------|--------|

Ethernet flexible CAT5, 4-pair [94B]

| | |
|---------------------------------|--|
| Dimensional drawing |  |
| Shielded | yes |
| UL AWM Style | 20963 (80°C/30 V) |
| Cable weight | 47 kg/km |
| Cable type | Ethernet flexible CAT5, 4-pair |
| Short symbol | 02YS(ST)C11Y |
| Cable type (abbreviation) | 94B |
| Signal type/category | Ethernet CAT5 (IEC 11801), 1 Gbps |
| Cable structure | 4x2xAWG26/7, SF/UTP |
| External cable diameter | 6.4 mm ±0.2 mm |
| Outer sheath, material | PUR |
| External sheath, color | water blue RAL 5021 |
| Thickness, outer sheath | 1.05 mm |
| Conductor material | Bare Cu litz wires |
| Conductor structure signal line | 7x 0.16 mm |
| AWG signal line | 26 |
| Conductor cross section | 4x 2x 0.14 mm ² |

NBC-R4MC/5,0-94B/R4MC - Network cable



1408954

<https://www.phoenixcontact.com/us/products/1408954>

| | |
|--|--|
| Material wire insulation | Foamed PE |
| Wire diameter incl. insulation | 0.96 mm |
| Single wire, color | white/blue-blue, white/orange-orange, white/green-green, white/brown-brown |
| Twisted pairs | 2 cores to the pair |
| Overall twist | 4 pairs for core |
| Shielding | Aluminum-coated foil, tinned copper braided shield |
| Optical shield covering | 70 % |
| Nominal voltage, cable | ≤ 100 V |
| Test voltage Core/Core | 700 V (50 Hz, 1 min.) |
| Test voltage Core/Shield | 700 V (50 Hz, 1 min.) |
| Cable insulation resistance | ≥ 5 GΩ*km |
| Coupling resistance | ≤ 100.00 mΩ/m (at 10 MHz) |
| Wave impedance | 100 Ω ±5 Ω (at 100 MHz) |
| Loop resistance | ≤ 290.00 Ω/km |
| Cable capacity | 48 nF/km (at 1 kHz) |
| Signal runtime | 5.3 ns/m |
| Tensile strength | ≤ 100 N |
| Minimum bending radius, fixed installation | 4 x D |
| Minimum bending radius, flexible installation | 8 x D |
| Damping | 3.2 dB (with 1 MHz) |
| | 6 dB (at 4 MHz) |
| | 9.5 dB (at 10 MHz) |
| | 12.1 dB (at 16 MHz) |
| | 13.6 dB (at 20 MHz) |
| | 17.1 dB (at 31.25 MHz) |
| | 24.8 dB (at 62.5 MHz) |
| | 32 dB (at 100 MHz) |
| Near end crosstalk attenuation (NEXT) | 71.3 dB (with 1 MHz) |
| | 62.3 dB (at 4 MHz) |
| | 56.3 dB (at 10 MHz) |
| | 53.2 dB (at 16 MHz) |
| | 51.8 dB (at 20 MHz) |
| | 48.9 dB (at 31.25 MHz) |
| | 44.4 dB (at 62.5 MHz) |
| | 41.3 dB (at 100 MHz) |
| Power-summated near end crosstalk attenuation (PSNEXT) | 62.3 dB (with 1 MHz) |
| | 53.3 dB (at 4 MHz) |
| | 47.3 dB (at 10 MHz) |
| | 44.2 dB (at 16 MHz) |
| | 42.8 dB (at 20 MHz) |
| | 39.9 dB (at 31.25 MHz) |
| | 35.4 dB (at 62.5 MHz) |
| | 32.3 dB (at 100 MHz) |

NBC-R4MC/5,0-94B/R4MC - Network cable



1408954

<https://www.phoenixcontact.com/us/products/1408954>

| | |
|---------------------------------|---|
| Return attenuation (RL) | 23 dB (at 4 MHz) |
| | 24.1 dB (at 8 MHz) |
| | 25 dB (at 10 MHz) |
| | 25 dB (at 16 MHz) |
| | 25 dB (at 20 MHz) |
| | 23.6 dB (at 31.25 MHz) |
| | 21.5 dB (at 62.5 MHz) |
| | 20.1 dB (at 100 MHz) |
| Halogen-free | according to IEC 60754-1 |
| Resistance to oil | in accordance with EN 60811-2-1 |
| Flame resistance | according to IEC 60332-1-2 |
| Ambient temperature (operation) | -20 °C ... 80 °C (Cable, flexible installation) |
| | -40 °C ... 80 °C (cable, fixed installation) |

Environmental and real-life conditions

Ambient conditions

| | |
|---------------------------------|-----------------------------------|
| Degree of protection | IP67 (RJ45 connector) |
| | IP67 |
| Ambient temperature (operation) | -20 °C ... 70 °C (RJ45 connector) |

NBC-R4MC/5,0-94B/R4MC - Network cable

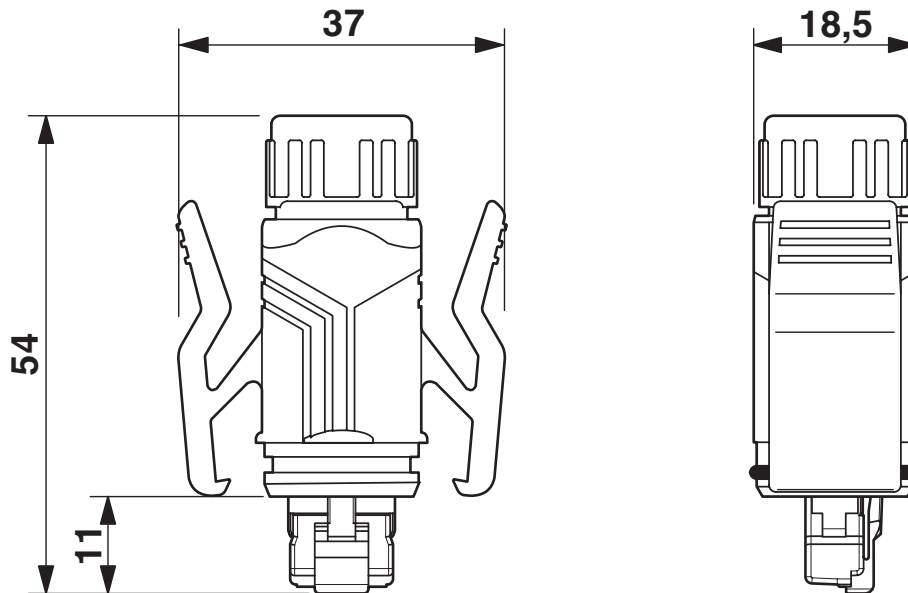


1408954

<https://www.phoenixcontact.com/us/products/1408954>

Drawings

Dimensional drawing



RJ45-connector, IP67

NBC-R4MC/5,0-94B/R4MC - Network cable

1408954

<https://www.phoenixcontact.com/us/products/1408954>



Schematic diagram



Connector pin assignment plug RJ45

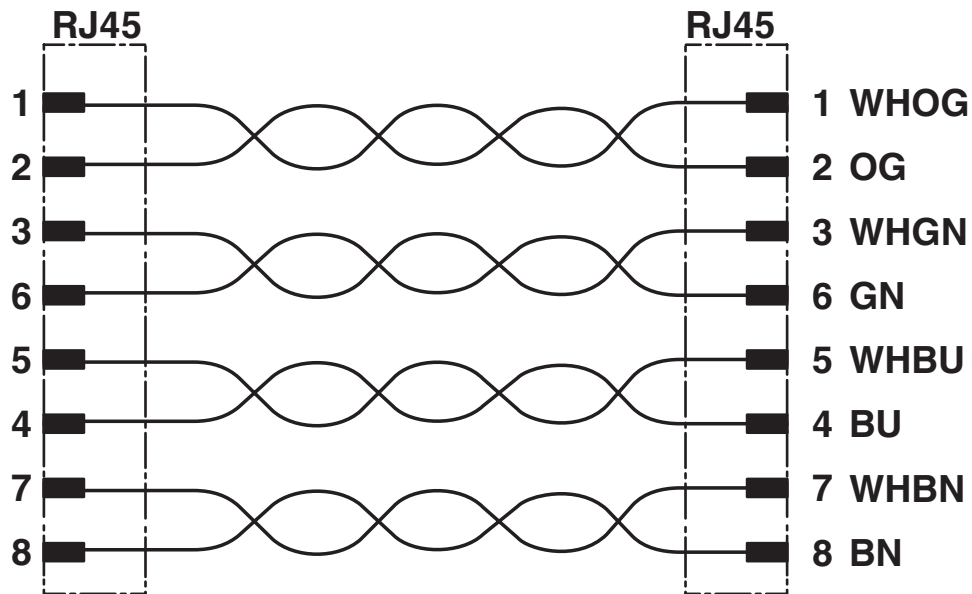
NBC-R4MC/5,0-94B/R4MC - Network cable



1408954

<https://www.phoenixcontact.com/us/products/1408954>

Circuit diagram



NBC-R4MC/5,0-94B/R4MC - Network cable



1408954

<https://www.phoenixcontact.com/us/products/1408954>

Approvals

To download certificates, visit the product detail page: <https://www.phoenixcontact.com/us/products/1408954>



EAC

Approval ID: 19060508

NBC-R4MC/5,0-94B/R4MC - Network cable



1408954

<https://www.phoenixcontact.com/us/products/1408954>

Classifications

ECLASS

| | |
|-------------|----------|
| ECLASS-11.0 | 27060308 |
| ECLASS-12.0 | 27060308 |
| ECLASS-13.0 | 27060307 |

ETIM

| | |
|----------|----------|
| ETIM 9.0 | EC002599 |
|----------|----------|

UNSPSC

| | |
|-------------|----------|
| UNSPSC 21.0 | 26121600 |
|-------------|----------|

NBC-R4MC/5,0-94B/R4MC - Network cable



1408954

<https://www.phoenixcontact.com/us/products/1408954>

Environmental product compliance

| | |
|------------|---|
| China RoHS | Environmentally friendly use period: unlimited = EFUP-e |
| | No hazardous substances above threshold values |

Phoenix Contact 2024 © - all rights reserved
<https://www.phoenixcontact.com>

Phoenix Contact USA
586 Fulling Mill Road
Middletown, PA 17057, United States
(+717) 944-1300
info@phoenixcon.com